



DV90

Dual View Dumper

Rotation for safety.

More legroom and the exit option in both seating directions enable even safer and more efficient application of the machine. Up to 9 tons of payload not only offers plenty of materials handling per trip, but is also optionally supported by a power engine, which noticeably increases the tractive force and power. Additional safety features complete the power: Hill-hold function, seat belt monitoring and many other highlights think before anything can even happen.

Highlights

- Swiveling operator's seat with plenty of legroom
- Seat belt monitoring with start release
- Fold-down armrest for entry and exit from both sides
- Power version
- Hill-Hold function

Technical Data

Hydraulic

Operating pressure	240.0 bar
hydraulikpump	ZRP
Flow rate	73.0 l/min
Tank capacity	48.0 l

Mechanical - Output Details

Nominal Engine speed	2,300.0 1/min
Travel speed	25.0 km/h

Mechanical Details

Length	4,622.0 mm
Width	2,420.0 mm
Height	3,483.0 mm
Payload	9,000.0 kg
skip	Front tip skip
Skip capacity levelled	3,750.0 l
Skip capacity heaped	4,600.0 l
Skip capacity waterlevel	2,400.0 l
Pendulum angle	11.0 °
Operating weight (min.-max.)	4,852.0 - 5,101.0 kg

Engine

Cooling	Water-cooling
---------	---------------

Motor type	Diesel engine
Cylinder	4.0
Cylinder capacity	2,924.0 cm ³
Fuel type	Diesel EN 590
Tank capacity	60.0 l
Effective power	55.4 KW
Nominal Engine speed	2,300.0 1/min
Maximum torque	260.0 Nm
Engine speed (max. torque)	1,600.0 1/min
Exhaust-gas limit	EU Stage V
Manufacturer	Deutz
Engine designation	TD2.9 L4

Environment Data

Sound power LWA, guaranteed	101.0 dB(A)
-----------------------------	-------------

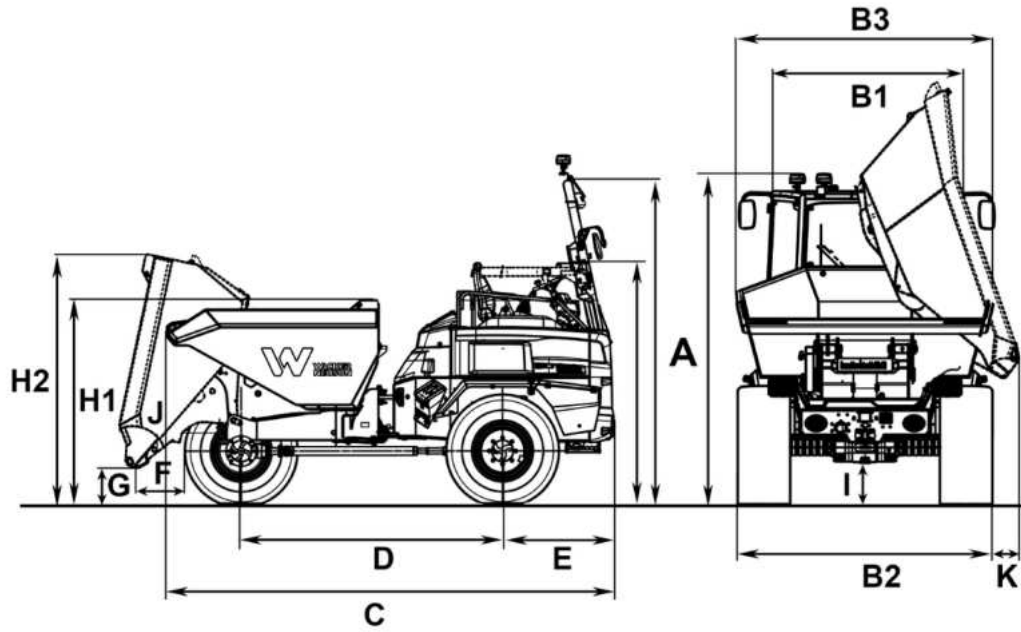
Chassis

Turning radius	6,620.0 mm
Articulation angle	28.0 °
hydraulikpump	Axialpistonpump
Flow rate	123.0 l/min

Shipping and Storage

Shipping weight	4,545.0 kg
-----------------	------------

Dimensions



A	Height ROPS	3,483 mm
	Height ROPS with rotating beacon	3,593 mm
	Height of ROPS tilted	2,473 mm
	Height with cab	2,974 mm
	Height of cab with rotating beacon	3,139 mm
B1	Width of cab	1,629 mm
B2	Width of vehicle	2,420 mm
B3	Width of skip	2,486 mm
C	Total length ROPS	4,622 mm
	Total length of cab	4,622 mm
D	Wheel base	2,700 mm
E	Rear overhang	1,157 mm
F	Dumping width	674 mm
G	Dumping height max.	365 mm
H1	Skip height	2,099 mm
H2	Skip height tilted	2,573 mm
I	Ground clearance	390 mm
J	Dumping angle	49 mm